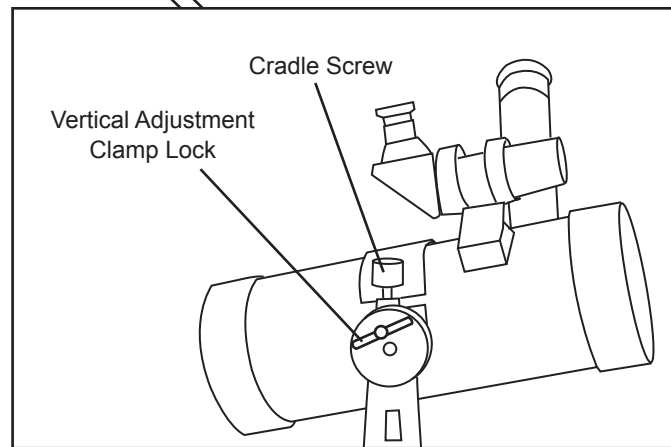
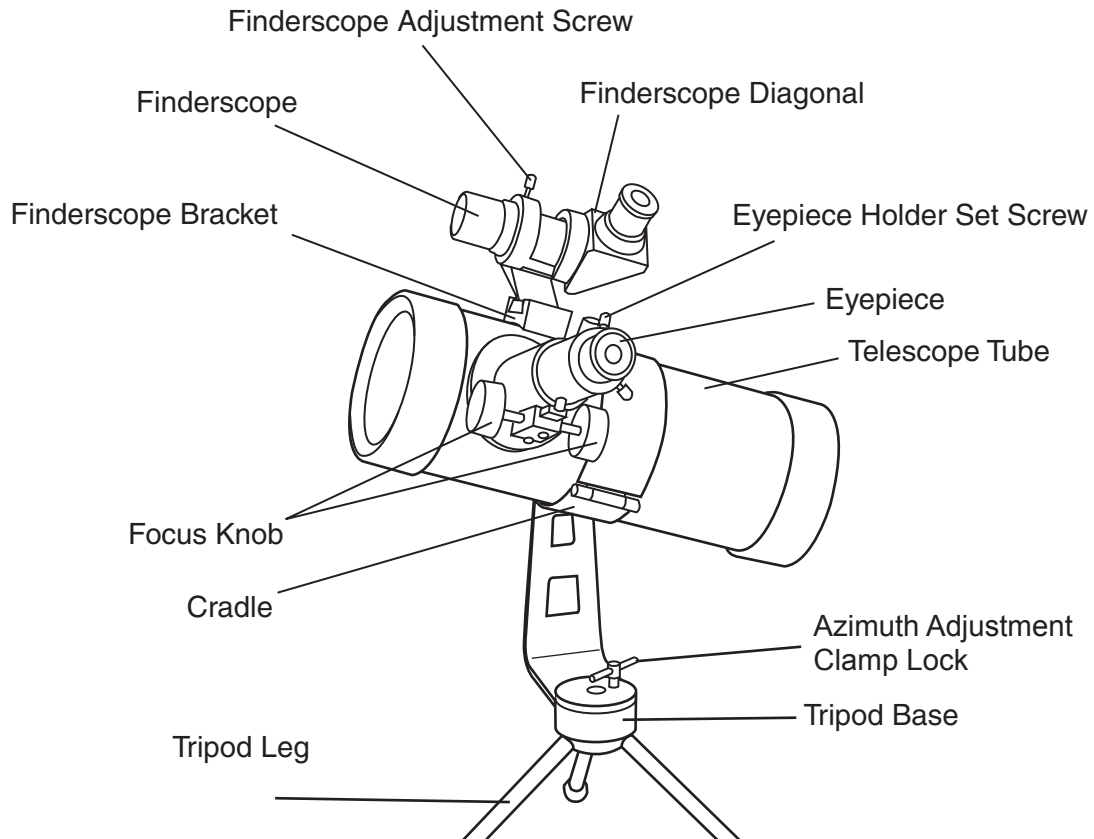
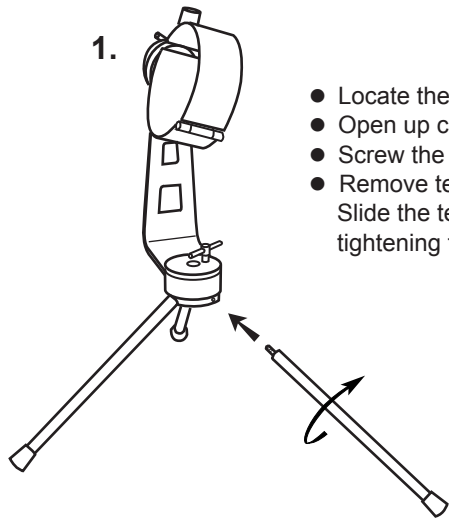
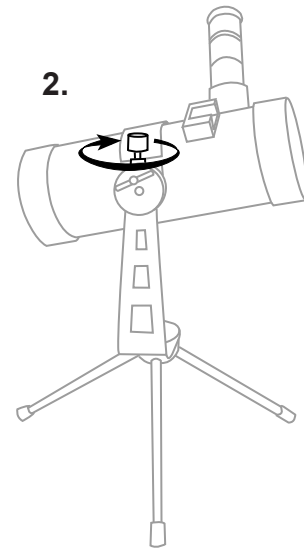


Tabletop Telescope

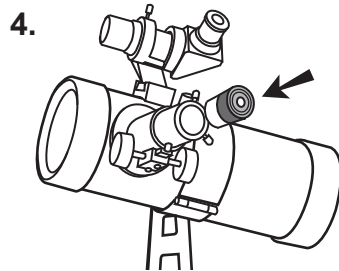
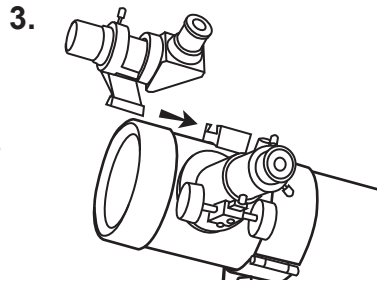




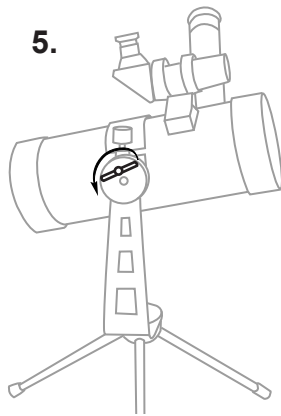
1.
 - Locate the telescope assembly and the tripod legs.
 - Open up cradle and remove telescope tube.
 - Screw the legs into holes in the tripod base.
 - Remove telescope tube from it's paper wrapping. Slide the telescope through the cradle and secure by tightening the cradle screw. □



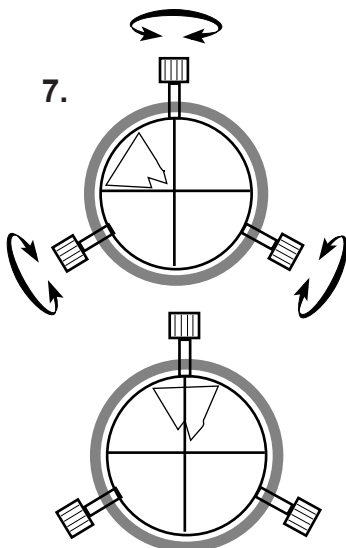
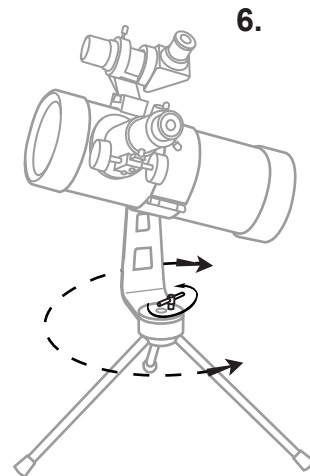
- Locate finderscope assembly.
- Loosen the finderscope screw.
- Slide the finderscope assembly into the finderscope base.
- Secure by tightening the finderscope screw.



3.
 - Loosen the eyepiece holder set screws
 - Remove the end cap.
 - Insert the desire eyepiece and secure by tightening eyepiece holder set screws..



4.
 - Loosen Vertical Adjustment Clamp Lock to make up and down adjustment.
 - Loosen Azimuth Adjustment Clamp Lock to make side-to-side adjustment.



ALIGNING THE FINDERSCOPE (7)

7.
 - Focus the telescope eyepiece on a distant object.
 - Once the object has been centered in the telescope view, ensure the locking controls are tightened.
 - Use the three small thumbscrews holding the finderscope to center the finderscope crosshairs on the object seen in the telescope view. Depending on telescope design, the object may appear inverted in the telescope view. Do not over-tighten the three alignment screws on the finderscope mount.

OPERATING YOUR TELESCOPE

Caution!

Never use your telescope to look directly at the sun. Permanent eye damage will result. Use a proper solar filter for viewing the sun. When observing the sun, place a dust cap over your finderscope to protect it from exposure. Never use an eyepiece-type solar filter and never use your telescope to project sunlight onto another surface, the internal heat build-up will damage the telescope optical elements.

Proper care for your telescope

Replace the dust cap over end of telescope whenever not in use. This prevents dust from settling on mirror or lens surface. Do not clean mirror or lens unless you are familiar with optical surfaces. Clean finderscope and eyepieces with special lens paper only. Cleaning and aligning of optical elements should be performed by an experienced technician every two years. Eyepieces should be handled with care, avoid touching optical surfaces.

Telescopes require about 30 minutes to equalize with surrounding temperature and humidity. This minimizes heat wave distortion inside telescope tube and allows telescope to adapt to ambient moisture conditions.

Technical Specifications

<i>Optical Design</i>	Catadioptric-Newtonian
<i>Diameter</i>	76mm
<i>Focal Length</i>	600mm
<i>f/ratio</i>	f/8
<i>Highest Practical Power</i>	152
<i>Fainest Steller Magnitude</i>	12
<i>Resolving Power (arc sec.)</i>	1.5
<i>Finderscope</i>	5x24 right angle
<i>Focuser Diameters</i>	1.25"
<i>Mount Type</i>	Alt-azimuth
<i>Slow Motion Control</i>	No
<i>Accessory Tray</i>	No
<i>Tripod</i>	Metal
<i>Tube Dimensions</i>	10cm x 27cm
<i>Tripod Height</i>	31.5cm (mount included)
<i>Total Net Weight</i>	2kgs
<i>Shipping Weight</i>	3kgs

Technical Support

Canada: 604-270-2813
between 9:00AM and 3:00PM PST
Outside Canada: Please contact your dealer for technical support.

If you are interested in submitting telephotographs taken with Sky-Watcher telescopes, or articles concerning any Sky-Watcher products, please call us at 604-241-7027.